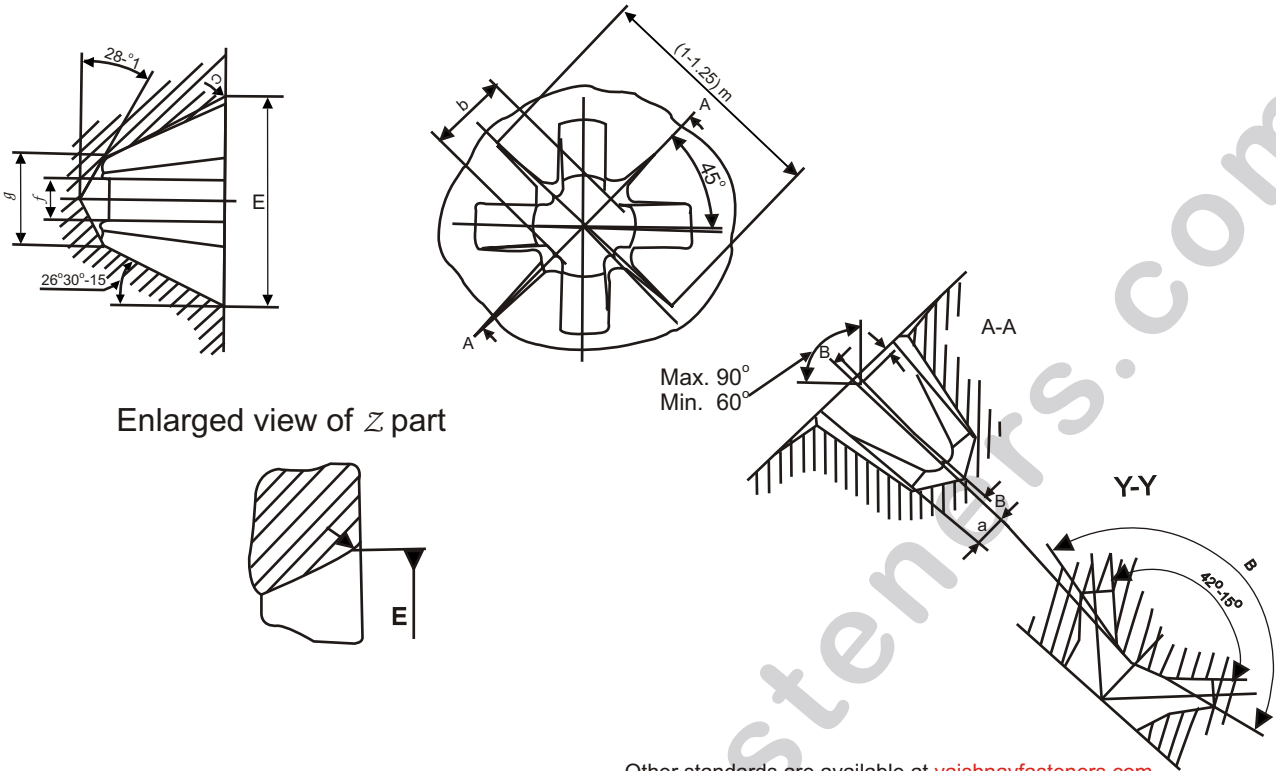


Table 4 Shape and Dimensions of Cross Recess Type H



Other standards are available at vaishnavfasteners.com

| Cross recess Type H No. | | 0 | 1 | 2 | 3 | 4 |
|-------------------------|--|--|--|-----------|-----------|---------|
| <i>b</i> | Basic dimension | 0.605 | 0.965 | 1.47 | 2.41 | 3.48 |
| | Tolerance | $\begin{matrix} 0 \\ -0.03 \end{matrix}$ | | | | |
| <i>e</i> | Basic dimension | (1) | 0.46 | 0.84 | 2.03 | 2.44 |
| | Tolerance | | $\begin{matrix} 0 \\ -0.05 \end{matrix}$ | | | |
| <i>f</i> | Maximum | 0.36 | 0.52 | 0.72 | 0.79 | 1.26 |
| | Minimum | 0.31 | 0.48 | 0.67 | 0.74 | 1.20 |
| <i>g</i> | Basic dimension | 0.81 | 1.27 | 2.29 | 3.81 | 5.08 |
| | Tolerance | $\begin{matrix} +0.05 \\ 0 \end{matrix}$ | | | | |
| <i>r</i> | Maximum | 0.3 | 0.5 | 0.6 | 0.8 | 1 |
| <i>a</i> | Basic | 7^0 | 7^0 | $5^0 45'$ | $5^0 45'$ | 7^0 |
| | Tolerance | $\begin{matrix} +15 \\ 0 \end{matrix}$ | | | | |
| <i>B</i> | Basic dimension | (2) | 138^0 | 104^0 | 146^0 | 153^0 |
| | Tolerance | | $\begin{matrix} 0 \\ -15 \end{matrix}$ | | | |
| <i>m</i> | Shall be as specified in the respective standards for screws | | | | | |

Note (1) The dimensions of this part shall be 0.19 to 0.25 mm in width.

(2) This part shall be rounded with a radius from 0.13 to 0.18 mm.